

JVC

SERVICE MANUAL

COLOUR TELEVISION

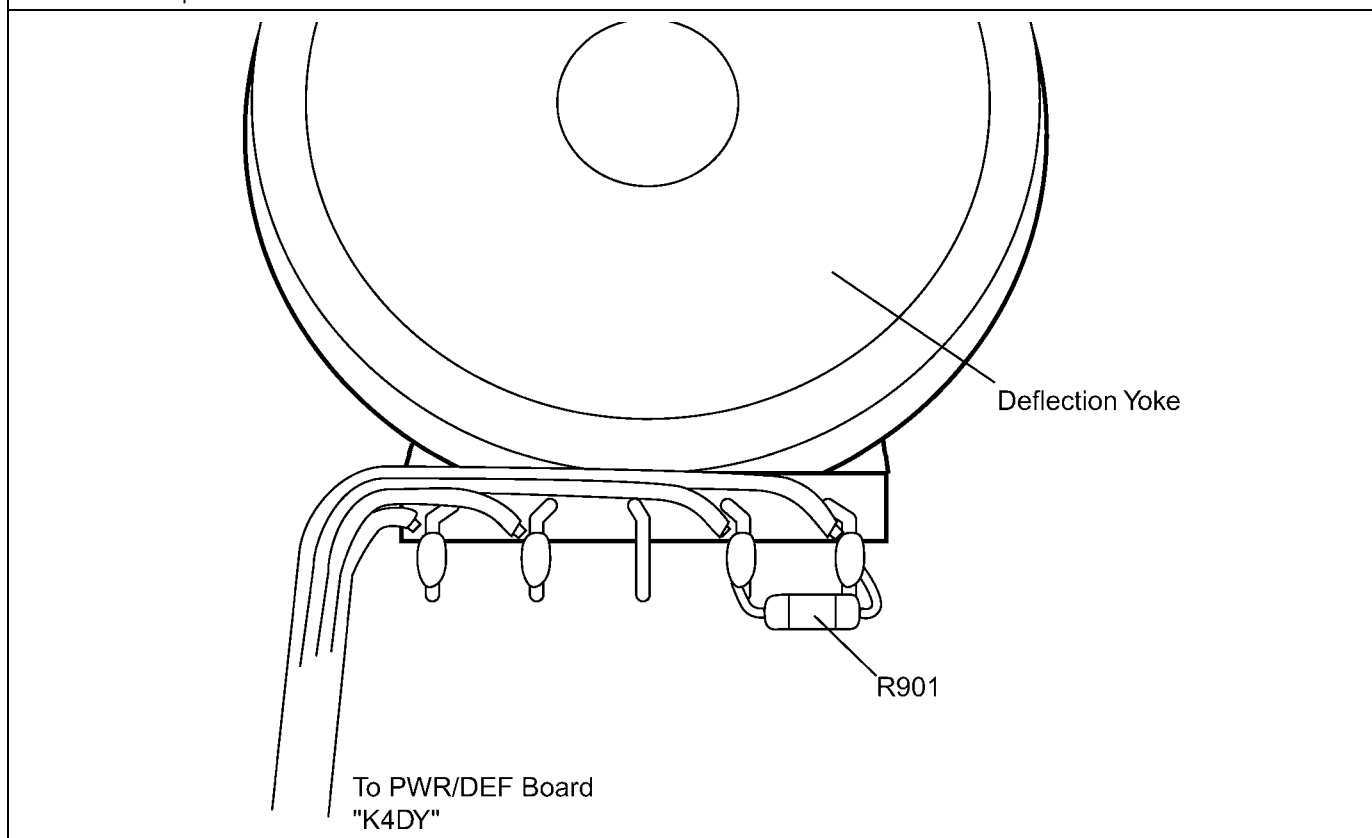
AV-28BK5ECB AV-28BK5ECS

Supplementary

■ SPECIFIC SERVICE DISASSEMBLY PROCEDURE (Supplement)


It supplements about the cautions at the time of CRT replacement.

In replacing the picture tube, please remove the resistor (R901) attached in deflection yoke terminals and mount it in deflection yoke terminals of new picture tube.



JVC

VICTOR COMPANY OF JAPAN, LIMITED
HOME AV NETWORK BUSINESS UNIT 1106 Heta, Iwai-city, Ibaraki-prefecture, 306-0698, Japan

 Wrote in Japan
0102 A.O.